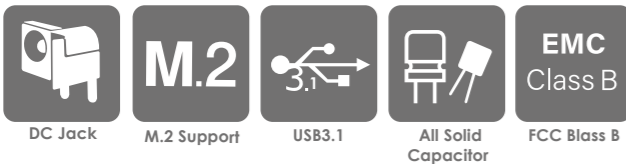


E310-10EHI

Fanless Embedded System with Intel® Elkhart Lake Atom/Celeron/Pentium TDP up to 12W

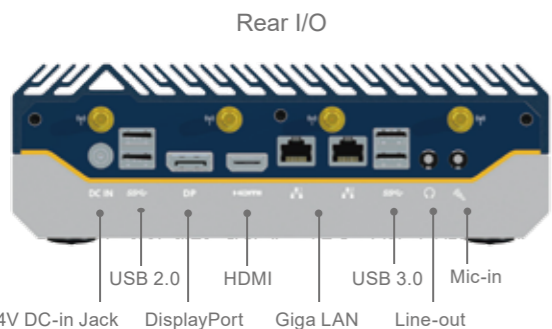
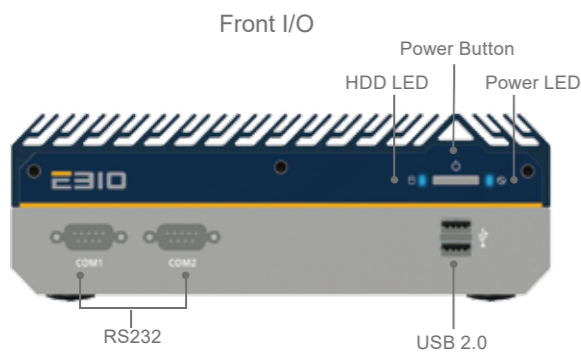
Introduction

- Intel® Elkhart Lake ATOM/Celeron/Pentium BGA Processor (TDP up to 12W)
- Support 2 x DDR4 SO-DIMM (Up to 32GB)
- Compatible with M.2 3042/3052 + SIM slot for 5G cellular network connectivity
- Support Dual Display for HDMI, DisplayPort
- 4 x USB2.0, 2 x USB3.1 Gen2, 2 x COM (Max. 6 x COM by Option)
- 8~24V wide range DC input

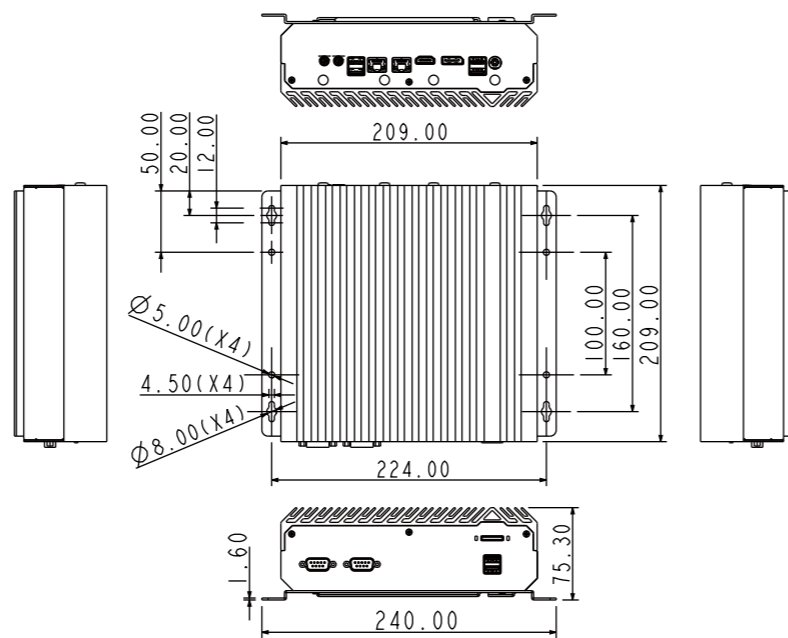


* The ID is for reference first and may subject to change based on final design.

I/O Interface



Dimension (mm)



E310 Fanless Embedded System

SYSTEM	
CPU	11th Gen Intel® Elkhart Lake Celeron J6413 Option: Pentium N6415, Celeron N6211, Celeron N6210, and Atom x6413E (Up to 12W)
Chipset	Intel® SoC Integrated
System Memory	DDR4 3200, 2 x 260-pin SO-DIMM, Max. 32 GB (Non-ECC)
Graphics	Intel® HD Graphics
Display Interface	HDMI, DisplayPort
Storage Slot	1 x 2.5" HDD/SSD BKT 1 x M.2 2280/2262/2242 SSD slot 1 x mSATA slot
Ethernet	2 x Intel® I211-AT Giga LAN
Audio	Realtek® ALC888S
TPM	Nuvoton NPCT750AAAYX TPM2.0 (Optional)
I/O Chipset	Nuvoton NCT6126D
Expansion Slot	M.2 2280/2242/3042 B Key(USB / PCIe x1 / SATA) Mini PCIe Full size (USB2.0 / SATAIII / PCIe x1) M.2 2230 E KEY (USB / PCIe x1) 1 x NanoSIM slot to M.2 B Key slot
Indicator	Power Button, Power LED, HDD LED
Front I/O	2x USB2.0 2 x RS232 (Extra 1 x RS232/422/485 + 3 x RS232 for Option)
Rear I/O	1 x Mic-in, 1 x Line-out 2 x USB2.0, 2 x USB3.1 Gen2 2 x i211AT Giga LAN 1x HDMI 1.4, 1x DisplayPort 1.4 4 x SMA hole with rubber cap
POWER REQUIREMENT	
Power Input	1 x AT/ATX Jumper; 1 x Buzzer
Power Adapter	65W, 19V AC adaptor
MECHANICAL	
Thermal Design	Fanless
Mounting	Wall mount
Dimensions (W X D X H)	209mm x 209mm x 68mm
Material	Cold rolled steel and extruded aluminum front panel
ENVIRONMENTAL	
Operating Temperature	-20 ~ 60°C
Storage Temperature	-40 ~ 85°C
Operating Humidity	10%~95% R/H (Non-condensing)
Certification	CE & FCC Class A
OS	
OS Support	Windows® 10 IoT 64bit (2019 LTSC / 2021 LTSC) Ubuntu 20.04

Ordering Information

Model Number	Processor	DisplayPort / HDMI	USB 3.1 / 2.0	LAN	M.2 2230 E key	mPCIe Full size	M.2 B Key	Line-out / Mic-in	Power
E310-10EHI-J6413	J6413	1 / 1	2 / 4	2	1	1	1	1 / 1	8~24V DC Jack

*Option: TPM, WIFI / BT

Packing List

Packing		
• 1 x Embedded System	• 1 x 65W, 19V AC adaptor and US+ EU power cords	• 1 x 18 cm SATA Power Cable
• 1 x M.2 3052/2260 adapter plate	• 1 x 18 cm SATA Cable	