

Nuvo-2600 series

Fanless Box PC with Intel® Elkhart Lake Atom® CPU and flexible expansions

Features

- Intel® Elkhart Lake Atom® x6425E quad-core 2.0GHz/3.0GHz 12W CPU
- 4x Gigabit PoE+ ports via RJ-45 connector with screw-lock
- 1x isolated RS-485 port and 1x RS-422/485 or 3x 3-wire RS-232 ports
- 2x full-size mini-PCIe sockets and 1x M.2 3042/3052 B key
- 1x front-accessible 2.5" SATA SSD tray (up to 15mm height) and 1x M.2 2280 SATA
- 1x patented Cassette for single-slot PCIe card (**Nuvo-2600E**), or 1x 2500 watt-second SuperCAP UPS (**Nuvo-2600J**)

System

CPU	Intel® Elkhart Lake Atom® x6425E quad-core 2.0GHz/3.0GHz 12W processor
Graphics	Integrated Intel® UHD Graphics
RAM	Up to 32GB DDR4-3200 SDRAM by one SODIMM socket

Panel I/O

USB	1x USB 3.2 Gen1 (5 Gbps) ports with screw-lock 2x USB 2.0 port with screw-lock
Ethernet	4x Gigabit Ethernet ports via RJ-45 connectors by Intel® I210 with screw-lock
PoE Capability	In compliant with IEEE 802.3at PoE+ PSE, maximum 25.5W output on single PoE+ port. Compatible with 802.3at (PoE+) and 802.3af (PoE) PD
Serial Ports	1x isolated RS-485 port with 15 kV ESD protection (COM1) 3x 3-wire RS-232 ports (COM2/3/4) or 1x RS-422/485 (COM2)
Video	VGA and DVI dual display outputs via one DVI connector
Isolated DIO	4-CH isolated DI and 4-CH isolated DO
Audio	1x 3.5 mm jack for mic-in and speaker-out
Ground Terminal	1x M4 ground terminal for chassis ESD shielding

Internal I/O

PCIe	1x PCIe x4 slot @ 2-lane PCIe 3.0 signal in Cassette module (Nuvo-2600E only)
Mini PCI Express	1x full-size mini PCI Express socket with PCIe & USB 2.0 signal 1x full-size mini PCI Express socket with USB 2.0 signal
M.2 B Key	1x M.2 3042/3052 B key (USB 3.1 + USB 2.0) for 4G/ 5G module with dual internal micro SIM sockets

Storage

M.2 SATA	1x M.2 2280 M key (SATA interface only) socket for SATA SSD installation
SATA HDD	1x front-accessible HDD tray for 2.5" HDD/ SSD installation (up to 15mm height)

Mechanical

DC Input	1x 3-pin pluggable terminal block for 8V to 35V DC input with built-in ignition power control (IGN/GND/V+)
Remote Control & LED Output	1x 3-pin pluggable terminal block for remote control and PWR LED output
Mounting	Wall-mount bracket (optional)
Dimensions	205 mm (W) x 154.7 mm (D) x 85.6 mm (H)
Weight	2.3 kg (Nuvo-2600E) // 2.5 kg (Nuvo-2600J)

Front



Rear



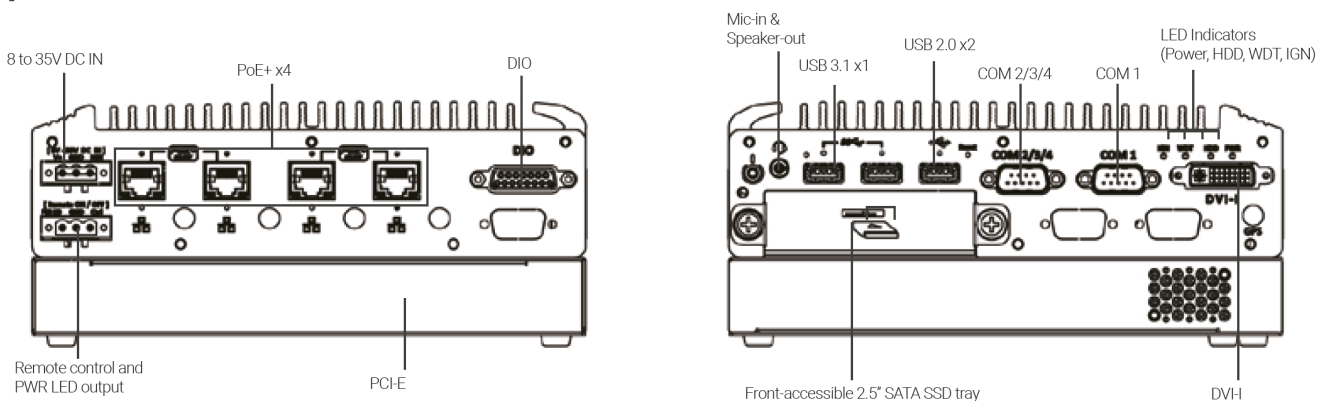
Nuvo-2600 series

Environmental

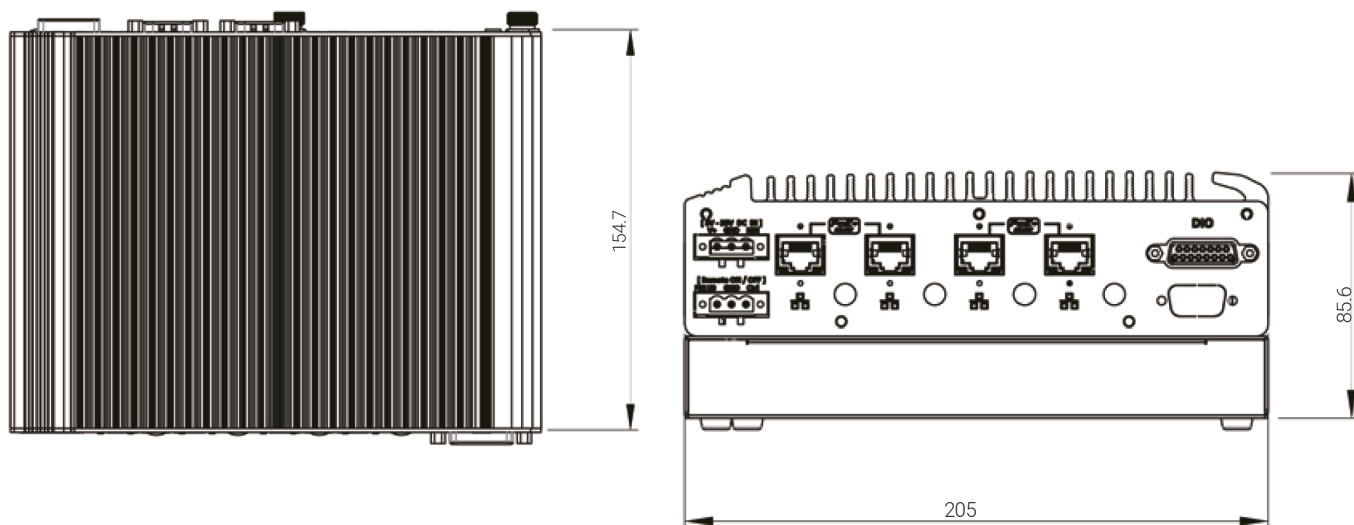
Operating Temperature	-25°C to 70°C*
Storage Temperature	-40°C ~ 85°C
Humidity	10%~90%, non-condensing
Vibration	Operating, MIL-STD-810G, Method 514.7, Category 4
Shock	Operating, MIL-STD-810G, Method 516.7, Procedure I
Certification	CE/FCC Class A, according to EN 55032 & EN 55035

* For sub-zero operating temperature, a wide temperature HDD drive or Solid State Disk (SSD) is required.

Appearance



Dimensions (mm)



Nuvo-2600 series

Ordering Information

Nuvo-2600E	Intel® Elkhart Lake Atom® x6425E fanless box PC with 4x GbE+, 7/15mm 2.5" HDD and PCIe expansion Cassette
Nuvo-2600E-PoE	Intel® Elkhart Lake Atom® x6425E fanless box PC with 4x PoE+ GbE, 7/15mm 2.5" HDD and PCIe expansion Cassette
Nuvo-2600J	Intel® Elkhart Lake Atom® x6425E fanless box PC with 4x GbE, 7/15mm 2.5" HDD and SuperCAP UPS
Nuvo-2600J-PoE	Intel® Elkhart Lake Atom® x6425E fanless box PC with 4x PoE+ GbE+, 7/15mm 2.5" HDD and PCIe expansion Cassette

Optional Accessories

PA-160W-OW	160W AC-DC power adapter 20V/8A; 18AWG/120cm; cord end terminals for terminal block, operating temperature: -25 to 70°C
PA-120W-OW	120W AC/DC power adapter 20V/6A; 18AWG/120cm; cord end terminals for terminal block, operating temperature: -25 to 70°C.
Wmkit-Nuvo-2600	Wall mounting kit for Nuvo-2600 and Nuvo-2610VTC series, including wall mount brackets and screws
AccsyBx-FAN-Nuvo-2600E	Wall mounting kit for NRU-50 series, including wall mounting brackets and screws