

PUMA-1000 Series

Fanless, compact and modular embedded PCs supporting Wake-on-LAN and PXE

Features

- Supports Intel® Celeron® and Atom® processors
- Supports two independent displays
- Compact design with diverse I/O and expansion modules
- 2x Full size Mini-PCIe slots
- Wide temperature range: -25° to 70°C



PUMA-1000 - Models

PUMA-1000 - Front



PUMA-1000 - Rear



PUMA-1010 / 1010A / 1010B - Front



PUMA-1010 - Rear



PUMA-1010A - Rear



PUMA-1010B - Rear



PUMA-1020C / 1020D - Front



PUMA-1020C - Rear



PUMA-1020D - Rear



PUMA-1030 - Front



PUMA-1030 - Rear



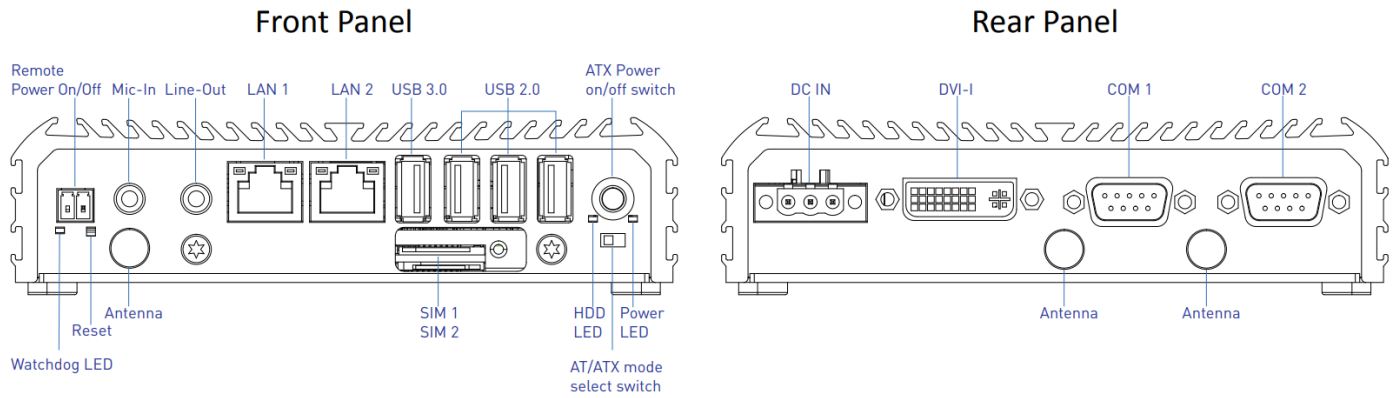
PUMA-1000 Series

Specifications

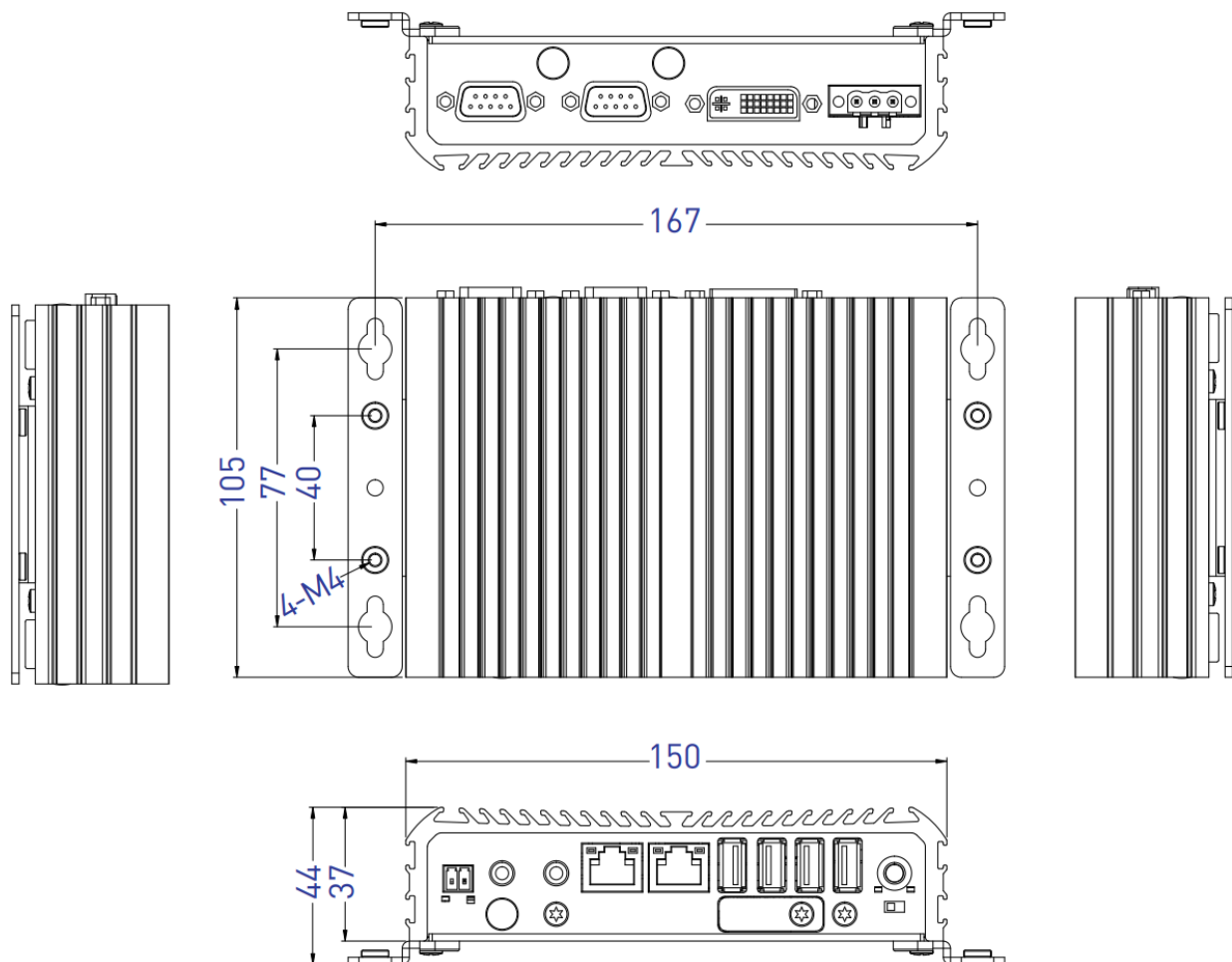
System	PUMA-1000	PUMA-1010	PUMA-1020	PUMA-1030
CPU	Intel® Atom® CPU E3845, Quad-Core, 2MB Cache, 1.91 GHz Intel® Celeron® CPU J1900, Quad-Core, 2MB Cache, 2.0 GHz			
System Chipset	SoC integrated			
LAN Chipset	GbE 1 & GbE 2: Intel® i210-AT (supports Wake-on-LAN and PXE)			
Audio Codec	Realtek ALC888S			
Memory	1x 204 DDR3L 1066/1333MHz SODIMM max. up to 8GB			
Expansion	2x Full-size Mini PCIe			
Operating Systems	Windows 10, Windows 8.1, WES8.1, Windows 7, WES7, Linux Kernel 3.X			
BIOS	AMI 64Mbit SPI BIOS			
Watchdog	Software programmable, supports 1 ~ 255 sec. system reset			
Display				
VGA	Yes (by optional split cable)			
DVI	1x DVI-I			
DisplayPort	-	-	1x DisplayPort	1x DisplayPort
Multiple Displays	Dual Display			
Storage				
SSD / HDD	-	1x Internal 2.5" SATA HDD Drive Bay	1x Internal 2.5" SATA HDD Drive Bay	1x Internal 2.5" SATA HDD Drive Bay
mSATA	1x mSATA (shared by 1x Mini PCI Express)			
SIM Socket	2x External SIM sockets			
Interface				
COM	2x RS-232/422/485	2x RS-232/422/485, 4x RS-232/422/485 (PUMA-1010B)	4x RS-232/422/485, 6x RS-232/422/485 (PUMA-1020D)	6x RS-232/422/485
USB	1x USB 3.0, 2x USB 2.0			
LAN	2x RJ-45			
Audio	1x Mic-in, 1x Line-out			
DIO	-	4-In/4-Out isolated (only PUMA-1010A)	4-In/4-Out isolated (only PUMA-1020C)	4-In/4-Out isolated
Universal I/O Bracket	-	1x Universal I/O Bracket (only PUMA-1010)	1x Universal I/O Bracket	2x Universal I/O Bracket
Other	4x WiFi antenna holes 1x Power Switch, 1x AT/ATX Switch, 1x Remote Power On/Off			
Power				
Power Mode	AT, ATX			
Power Input	9 ~ 48VDC			
Power Connector	3-pin Terminal Block			
Power Adapter	Optional AC/DC 12V/5A, 60W			
Protection	OVP (Over Voltage Protection) OCP (Over Current Protection) Reverse Protection			
Environmental				
Operating Temperature	-25°C to 70°C			
Storage Temperature	-30°C to 85°C			
Humidity	10% to 95% (non-condensing)			
Vibration	With SSD: 5 Grms, 5—500 Hz, 0.5 hr/axis With HDD: 1 Grms, 5—500 Hz, 0.5 hr/axis			
Shock	With SSD: 50G, half sine, 11ms			
Certificate/Standards	CE, FCC Class A			
Mechanical				
Construction	Extruded Aluminum with Heavy Duty Metal			
Dimensions	150 x 105 x 37 mm	150 x 105 x 49 mm	150 x 105 x 65 mm	150 x 105 x 83 mm
Weight	0,69kg	0,85kg	0,97kg	1,11kg
Mounting	Wall Mounting, Side / VESA / Din-Rail Mounting (optional)			

PUMA-1000 Series

PUMA-1000: I/O (Layout)



PUMA-1000: Dimensions (mm)

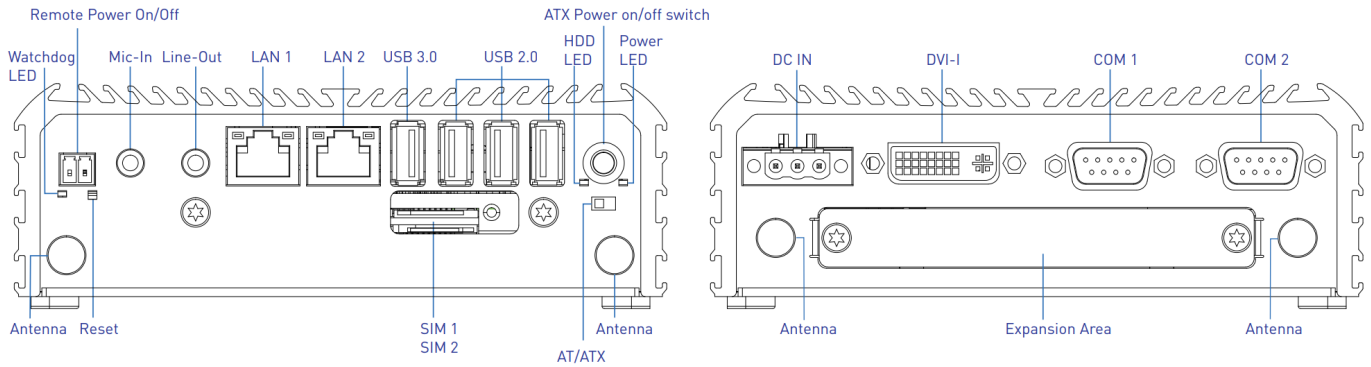


PUMA-1000 Series

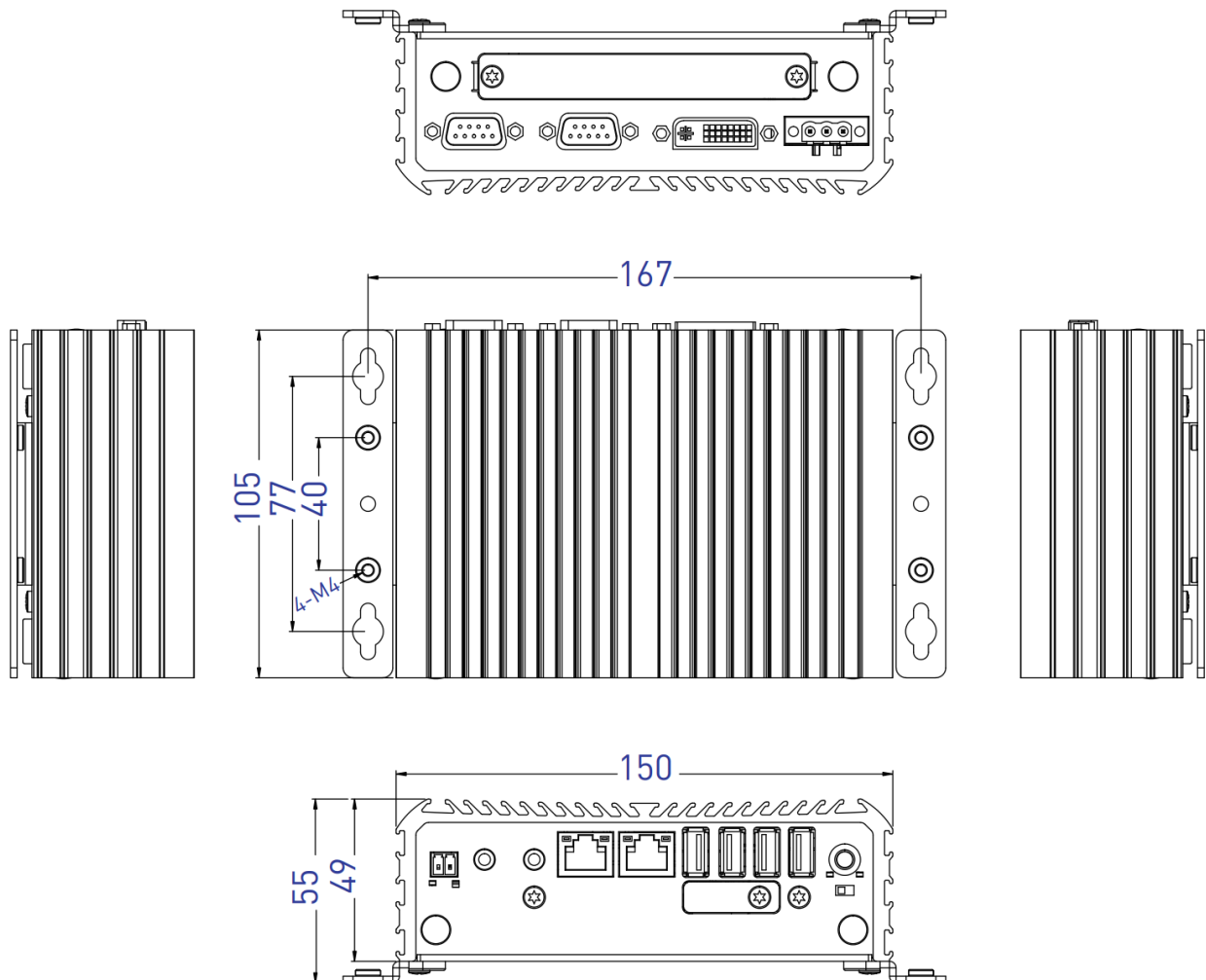
PUMA-1010: I/O (Layout)

Front Panel

Rear Panel



PUMA-1010: Dimensions (mm)

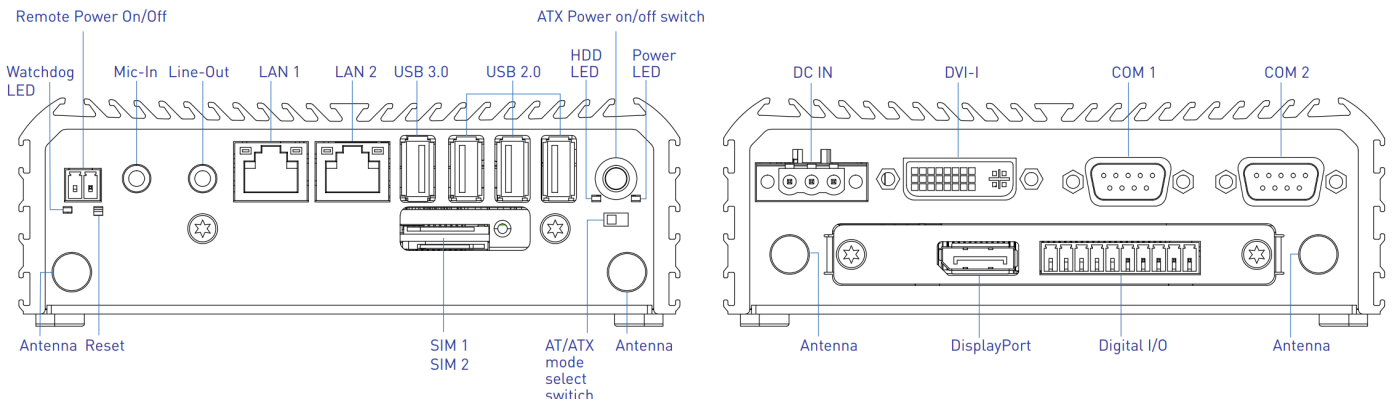


PUMA-1000 Series

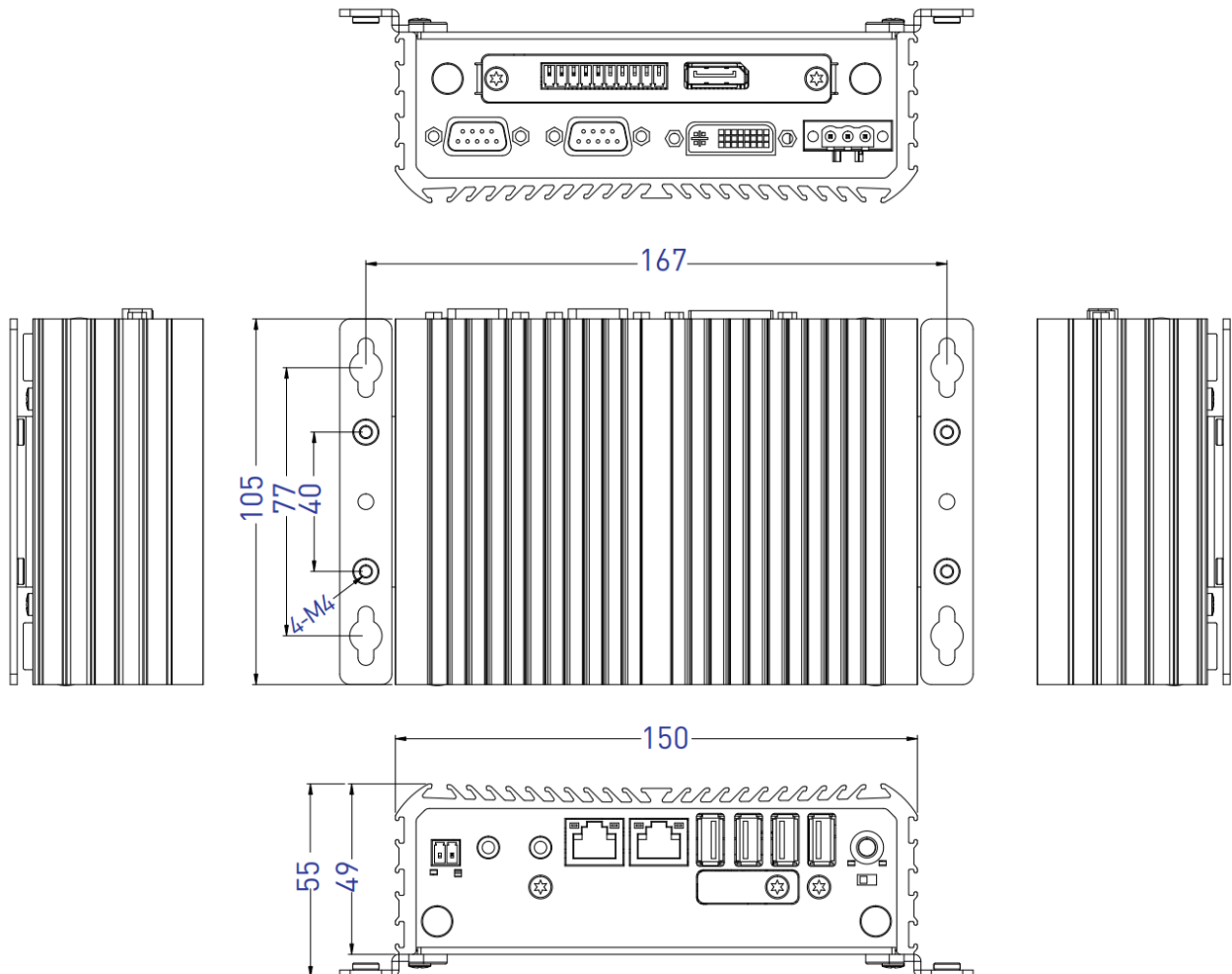
PUMA-1010A: I/O (Layout)

Front Panel

Rear Panel



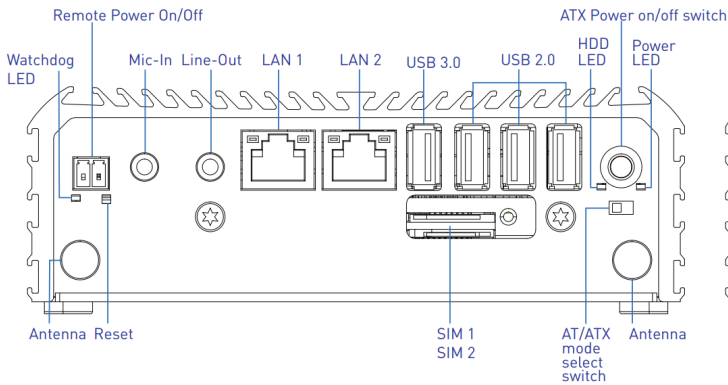
PUMA-1010A: Dimensions (mm)



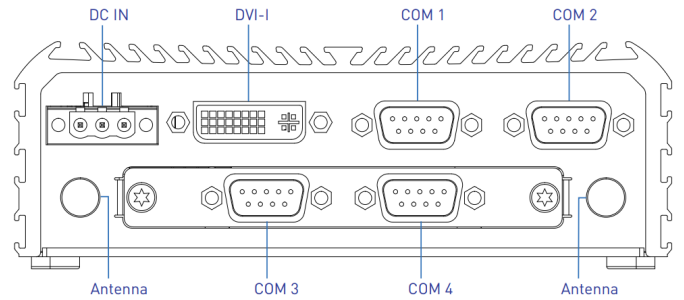
PUMA-1000 Series

PUMA-1010B: I/O (Layout)

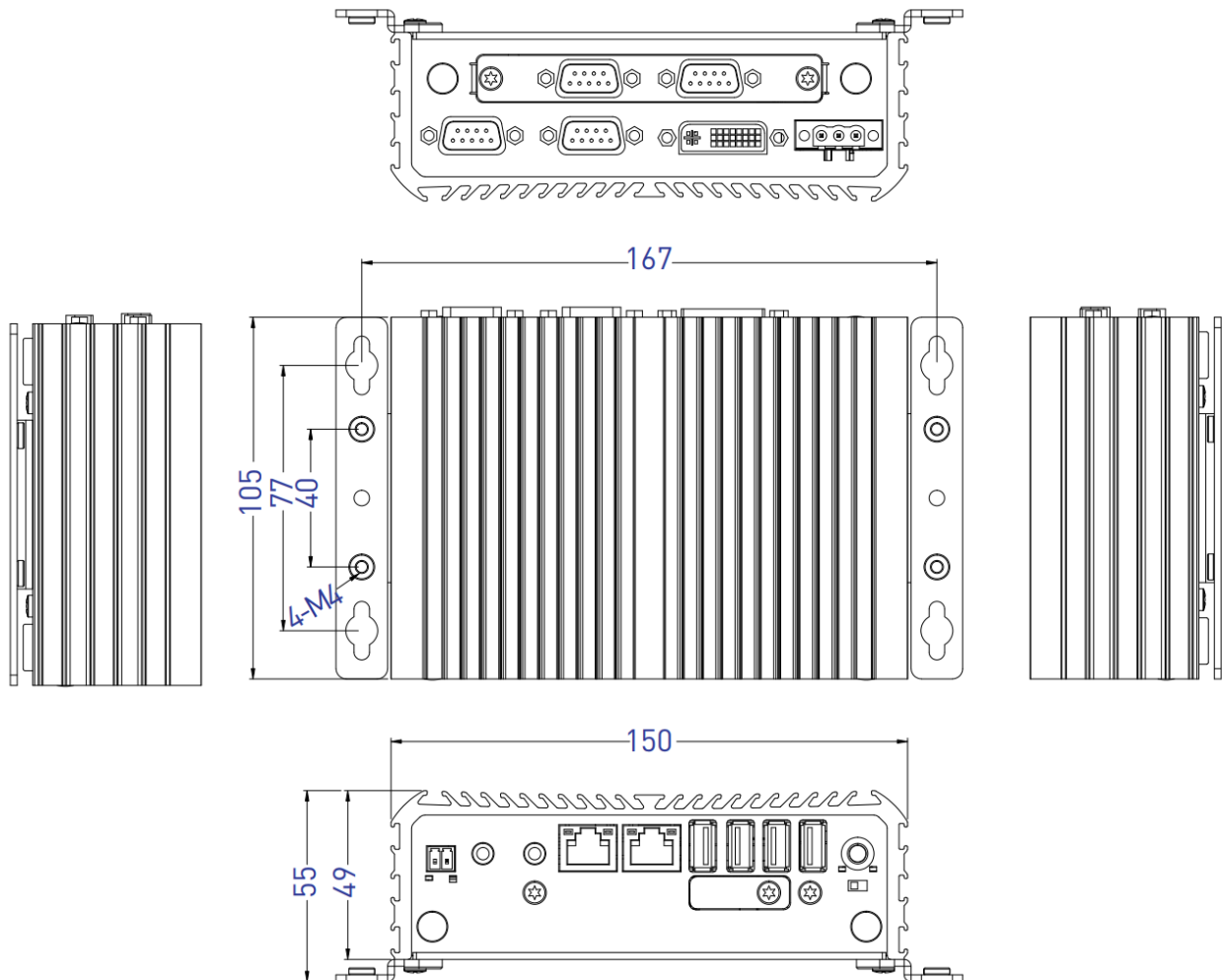
Front Panel



Rear Panel



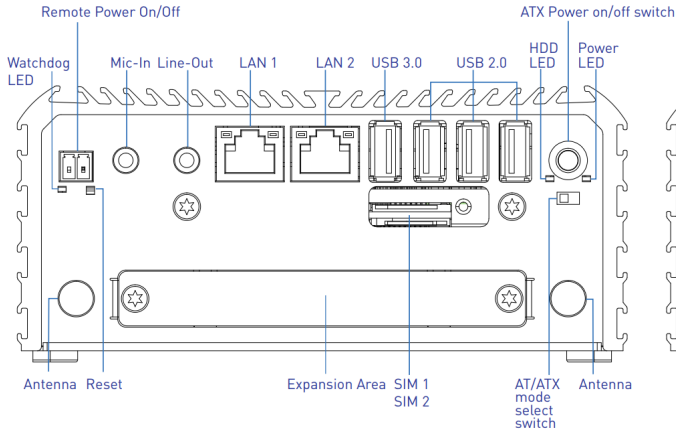
PUMA-1010B: Dimensions (mm)



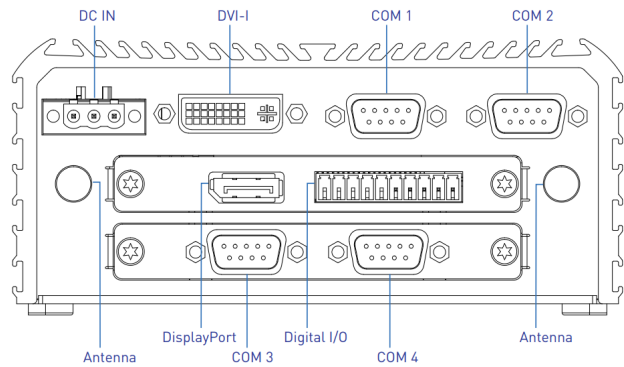
PUMA-1000 Series

PUMA-1020C: I/O (Layout)

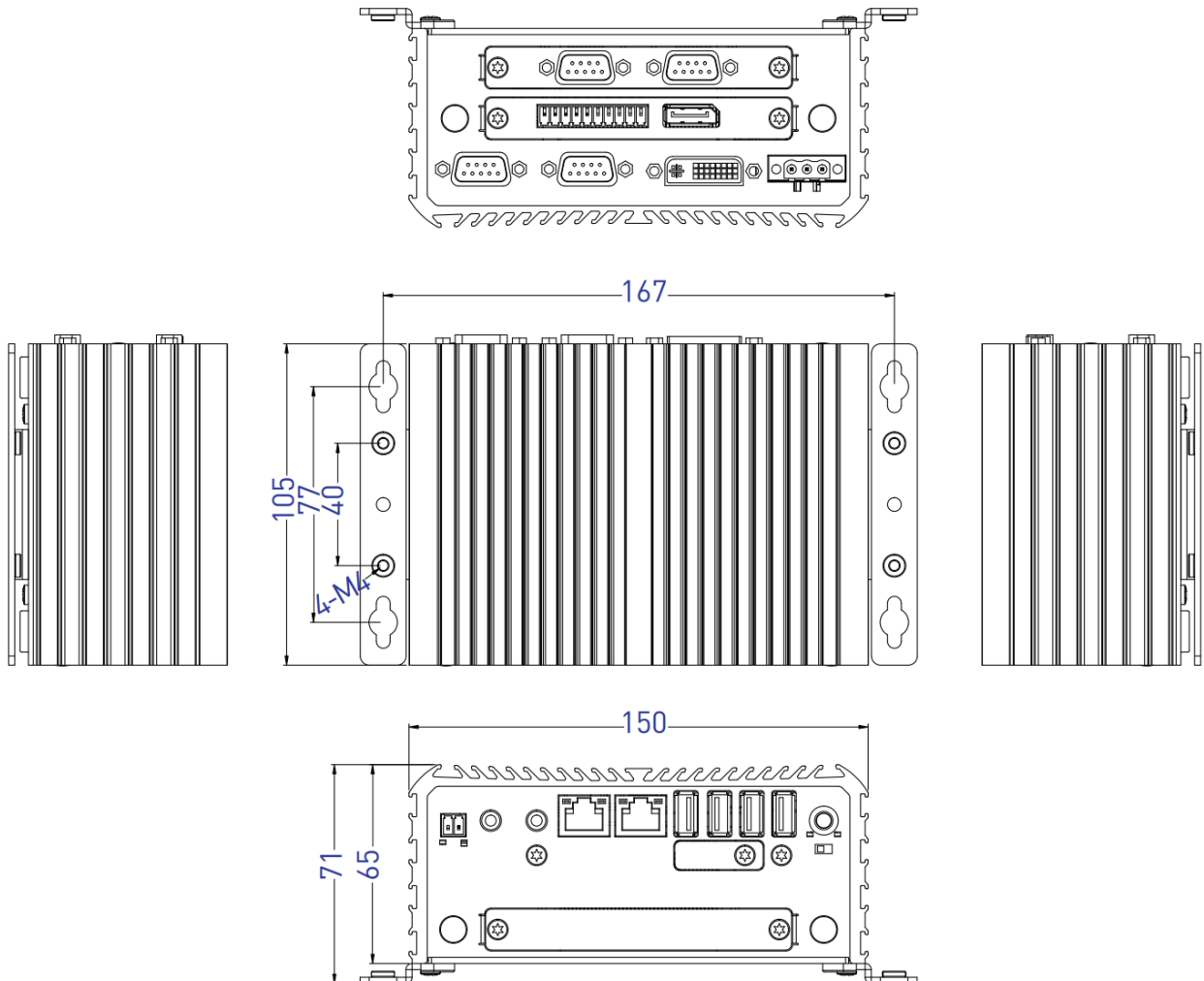
Front Panel



Rear Panel



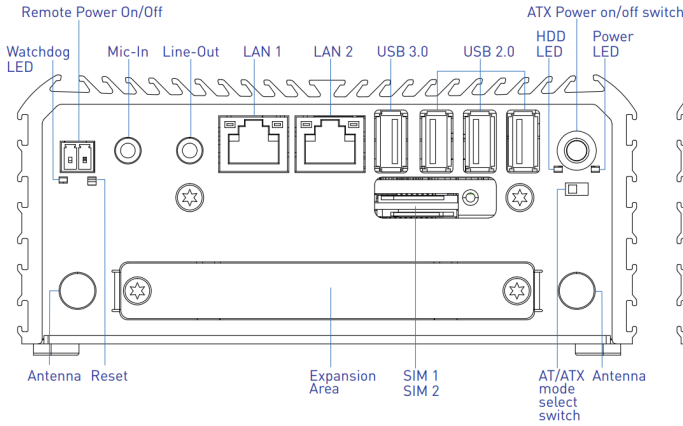
PUMA-1020C: Dimensions (mm)



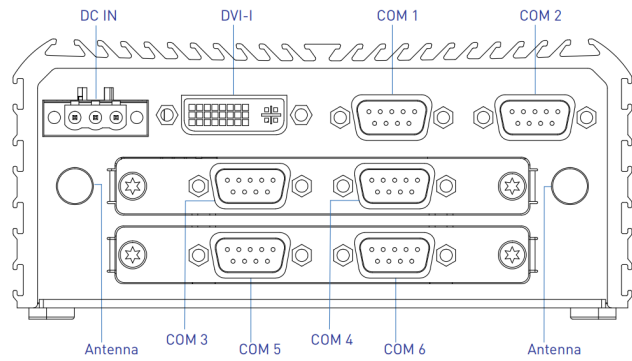
PUMA-1000 Series

PUMA-1020D: I/O (Layout)

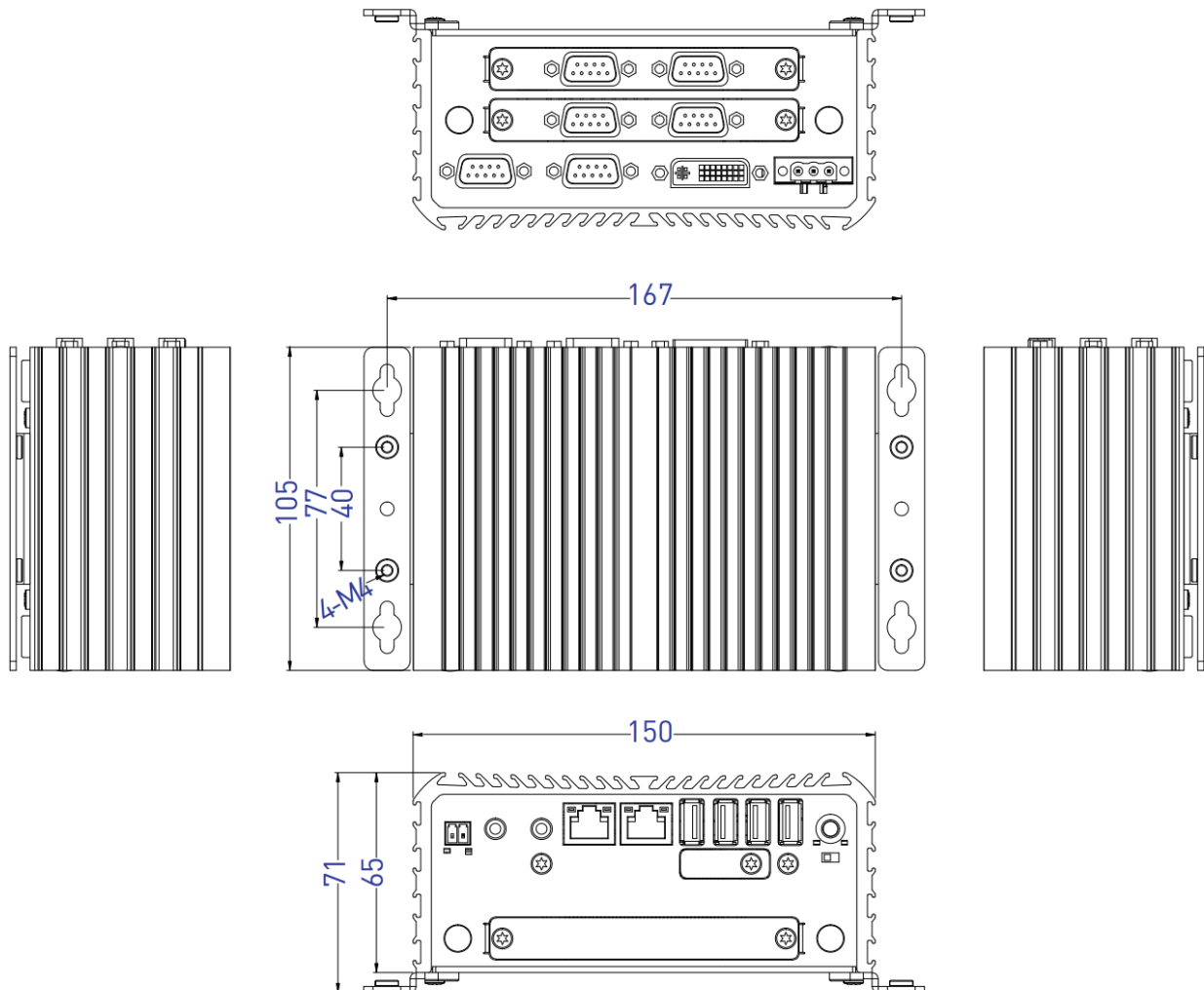
Front Panel



Rear Panel

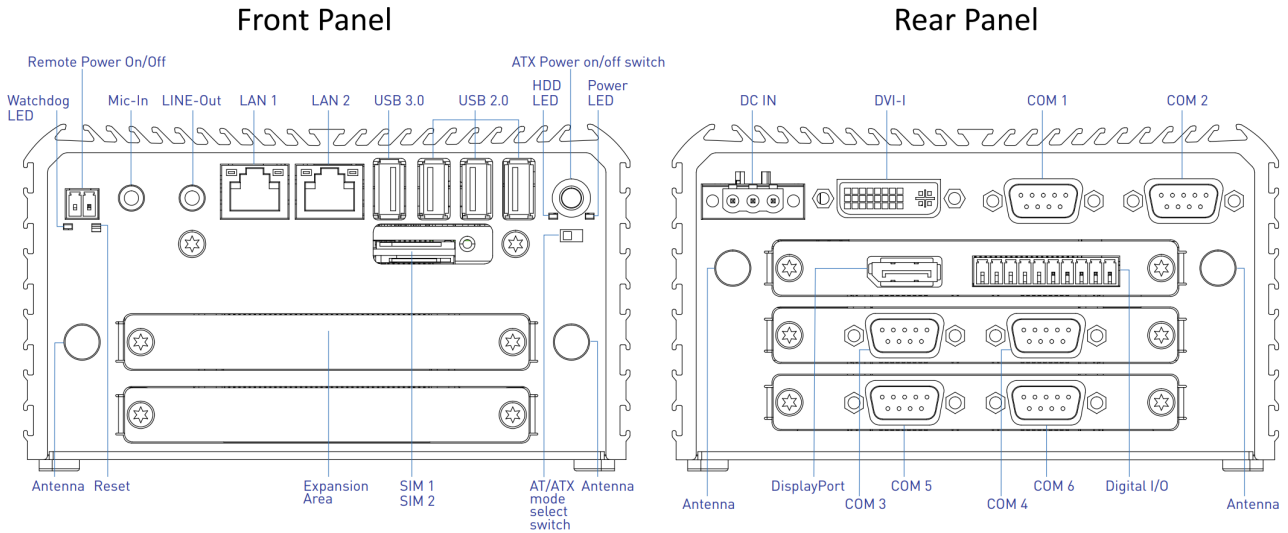


PUMA-1020D: Dimensions (mm)



PUMA-1000 Series

PUMA-1030: I/O (Layout)



PUMA-1030: Dimensions (mm)

