

PUMA-V6000 series

Machine Vision systems with diverse PCIe/PCI expansions for intense graphic applications

Features

- 6th/7th Gen Intel® Core™ i7/i5/i3 or Pentium®/Celeron® CPUs
- Supports three independent displays
- Diverse expansions via PCI / PCIe / Mini-PCIe slots
- RAID and DIO features available
- Wall / Book / DIN-Rail Mounting (optional)
- Wide temperature range: -25° to 70°C



Models

PUMA-V6000



PUMA-V6011



PUMA-V6022



PUMA-V6033



PUMA-V6044



PUMA-V6055



PUMA-V6000 series

Specifications

System

CPU	Supports 6 th / 7 th Gen Intel® Core™ i7/i5/i3 / Pentium®/Celeron® desktop processor (LGA 1151) 7 th Gen Intel® Core™ i7-7700T processor, Quad-Core, 8MB cache, up to 3.8 GHz 7 th Gen Intel® Core™ i5-7500T processor, Quad-Core, 6MB cache, up to 3.3 GHz 7 th Gen Intel® Core™ i3-7101TE processor, Dual-Core, 3MB cache, up to 3.4 GHz 6 th Gen Intel® Core™ i7-6700TE processor, Quad-Core, 8MB cache, up to 3.4 GHz 6 th Gen Intel® Core™ i5-6500TE processor, Quad-Core, 6MB cache, up to 3.3 GHz 6 th Gen Intel® Core™ i3-6100TE processor, Dual-Core, 4MB cache, up to 2.7 GHz Intel® Pentium® G4400TE processor, Dual-Core, 3MB cache, up to 2.4 GHz Intel® Celeron® G3900TE processor, Dual-Core, 2MB cache, up to 2.3 GHz
System Chipset	Intel® Q170 Express chipset
LAN Chipset	GbE 1: Intel® i210-AT (supports Wake-on-LAN and PXE) GbE 2: Intel® i219-LM (supports Wake-on-LAN and PXE)
Audio Codec	Realtek ALC888S
RAM	2x DDR4 1866/2133MHz SODIMM max. up to 32GB
Mini PCI Express	3x Full-size Mini PCIe
PCI / PCI Express	PUMA-V6000: no expansions PUMA-V6011: 1x PCIe x16 or 1x PCI PUMA-V6022: 2x PCIe x8 or 2x PCI or 1x PCIe x16 + 1x PCI PUMA-V6033: 2x PCIe x4 + 1x PCIe x16 + 2x PCIe x1 or 3x PCI or 1x PCIe x16 + 2x PCI PUMA-V6044: 4x PCI or 2x PCIe x4 + 1x PCIe x8 + 1x PCI PUMA-V6055: 2x PCIe x4 + 1x PCIe x8 + 2x PCI
Operating System	6 th Gen CPU: Windows 10, Windows 7, WEST7, Linux Kernel 4.X / 7 th Gen CPU: Windows 10, Linux Kernel 4.X
BIOS	AMI 128Mbit SPI BIOS
Watchdog	Software programmable, supports 1 ~ 255 sec. system reset

Display

VGA	Yes (by optional split cable)
DVI	1x DVI-I
DisplayPort	2x DisplayPort
Multiple Displays	Triple Display

Storage

SSD / HDD	2x Removable 2.5" SATA HDD Bay, Supports RAID 0,1,5,10
mSATA	2x mSATA (shared by 2x Mini PCI Express)
CFast	1x CFast

Interface

COM	2x RS-232/422/485, 2x RS-232/422/485 (internal)
USB	4x USB 3.0
LAN	2x RJ-45
Audio	1x Mic-in, 1x Speaker-out
DIO	8-In/8-Out isolated
Other	2x WiFi antenna holes, 1x PowerSwitch, 1x AT/ATX Switch

Power

Power Mode	AT, ATX
Power Input	9 ~ 50VDC
Power Connector	3-pin Terminal Block
Power Adapter	Optional AC/DC 24V/5A, 120W
Protection	OVP (Over Voltage Protection) OCP (Over Current Protection) Reverse Protection

Environmental

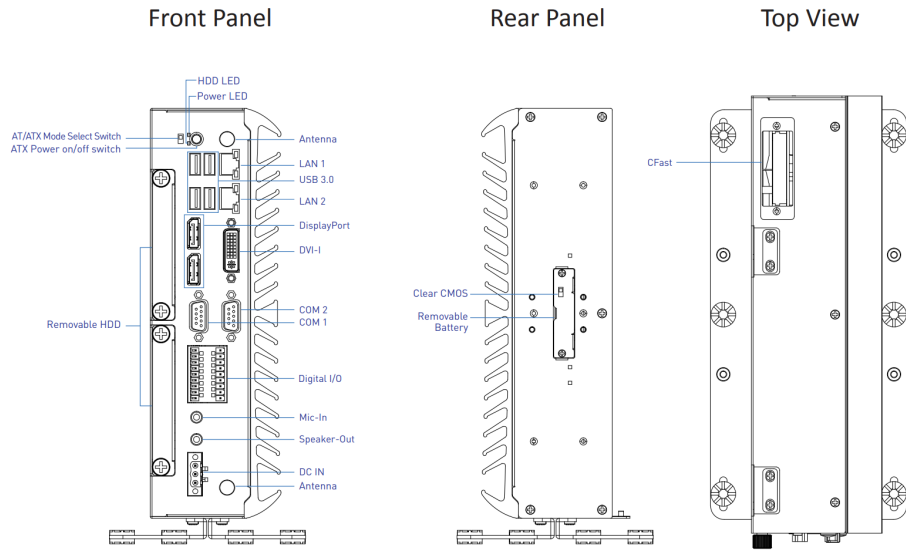
Operating Temperature	-25°C to 70°C
Storage Temperature	-40°C to 85°C
Humidity	10% to 95% (non-condensing)
Vibration	With SSD: 3 Grms, 5—500 Hz, 0.5 hr/axis With HDD: 1 Grms, 5—500 Hz, 0.5 hr/axis
Shock	With SSD: 50G, half sine, 11ms
Certificate / Standards	CE, FCC Class A

Mechanical

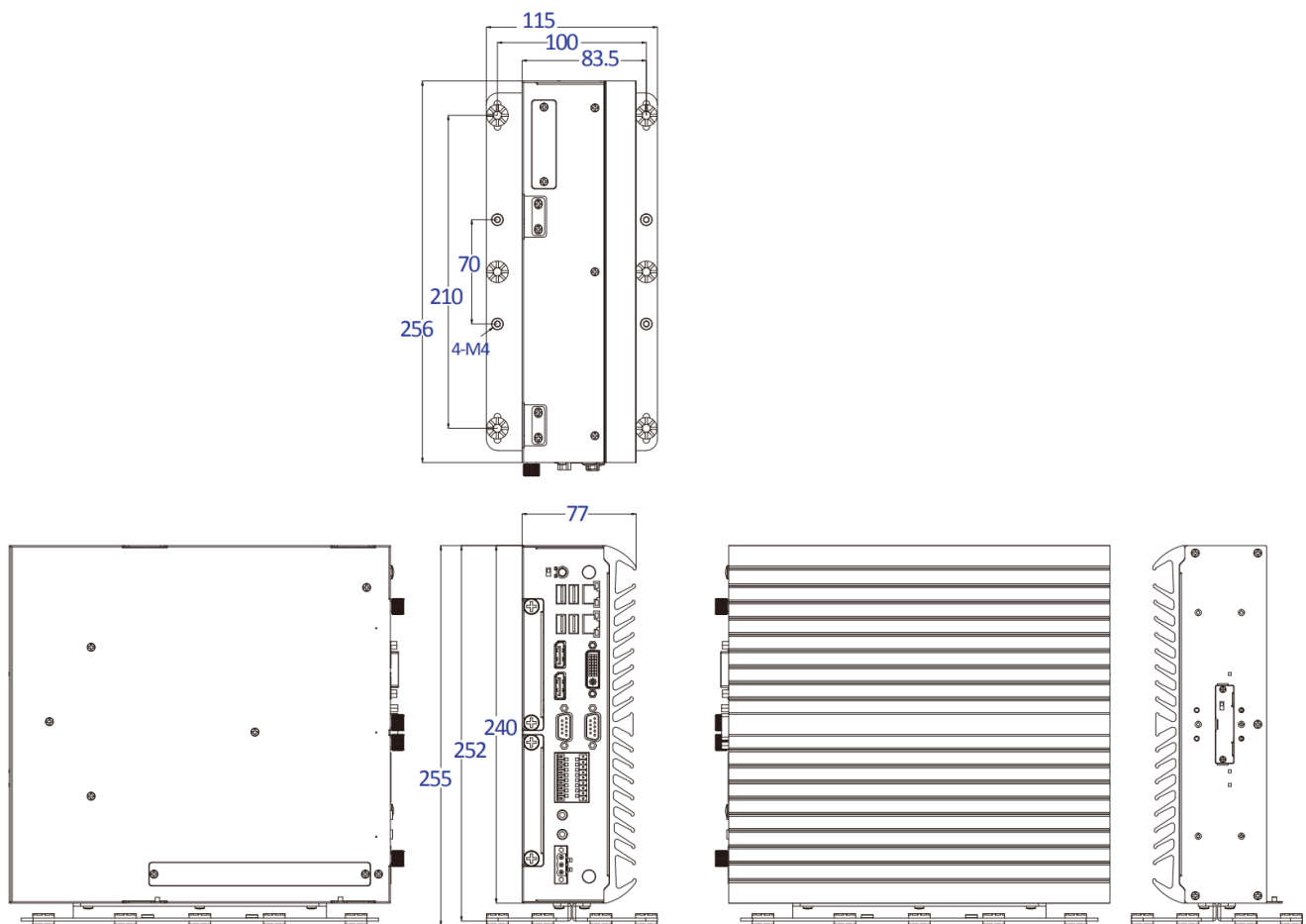
Construction	Extruded Aluminum with Heavy Duty Metal
Dimensions	Width: 77mm / 117mm / 137mm / 157mm / 177mm / 197mm x Depth: 256mm x Height: 240mm
Weight	PUMA-V6000: 3,83kg / PUMA-V6011: 5,29kg / PUMA-V6022: 5,34 to 5,39kg / PUMA-V6033: 5,42 to 5,86kg / PUMA-V6044: 5,92 to 6,02kg / PUMA-V6055: 6,21kg
Mounting	Wall / Book Mounting / DIN-Rail Mounting (optional)

PUMA-V6000 series

PUMA-V6000: I/O (Layout)

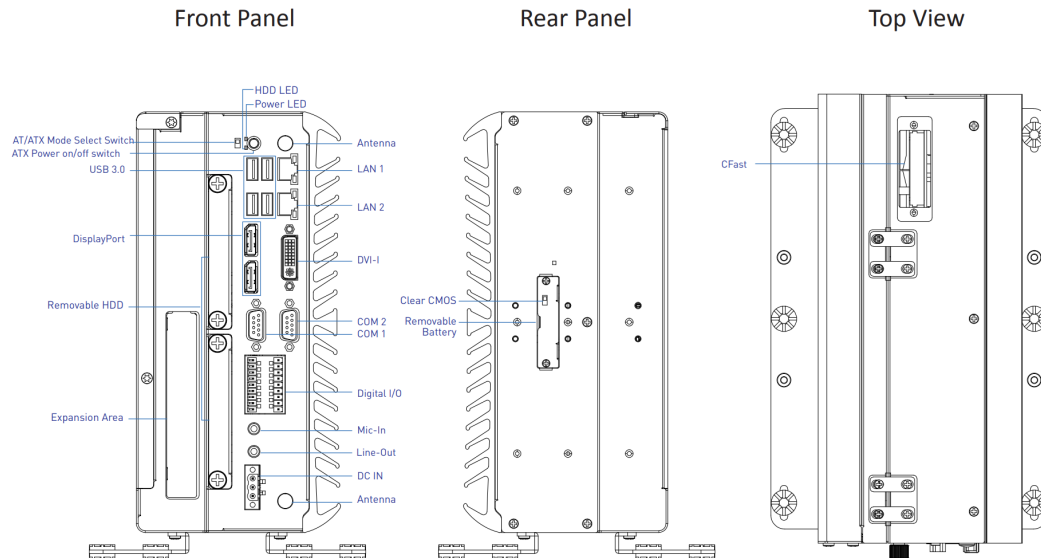


PUMA-V6000: Dimensions (mm)

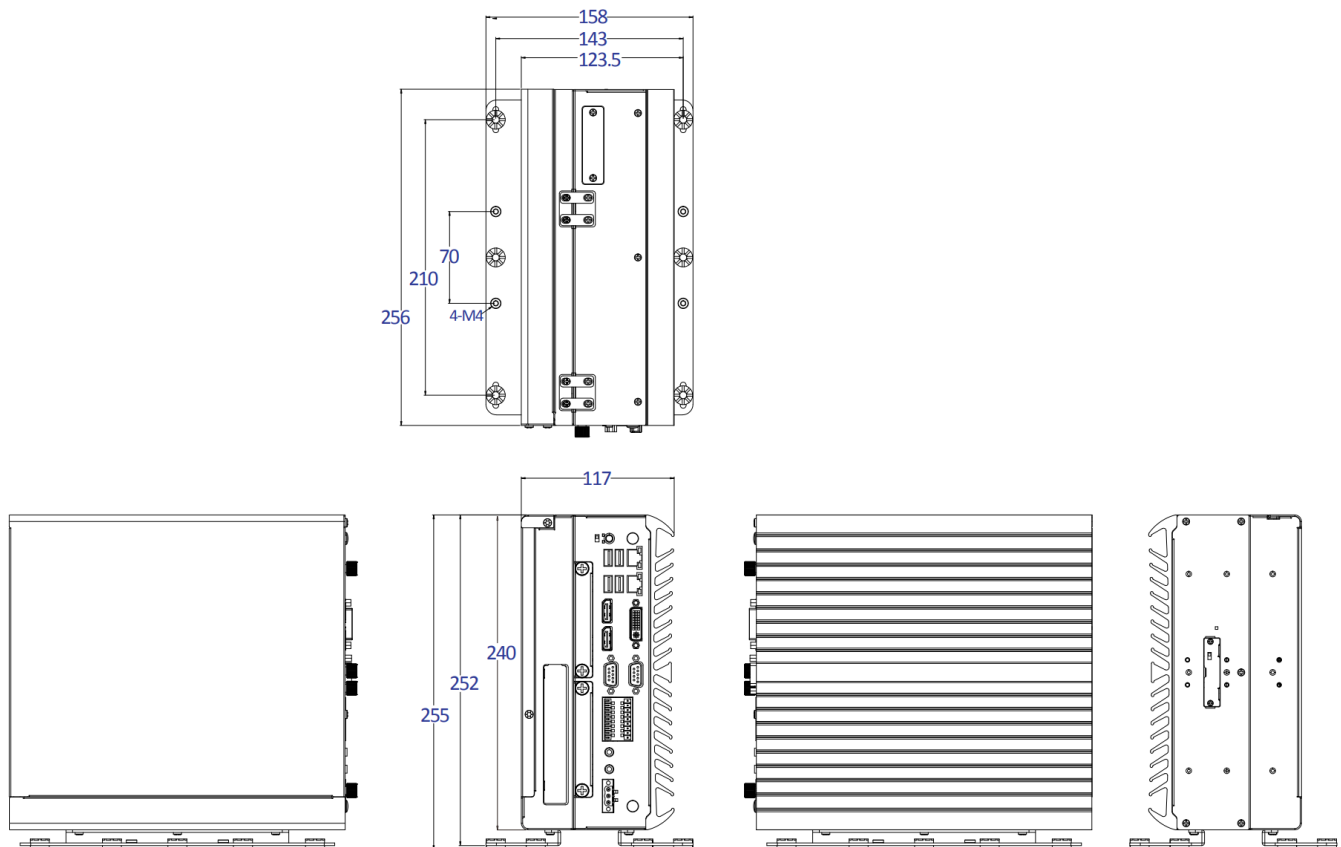


PUMA-V6000 series

PUMA-V6011: I/O (Layout)

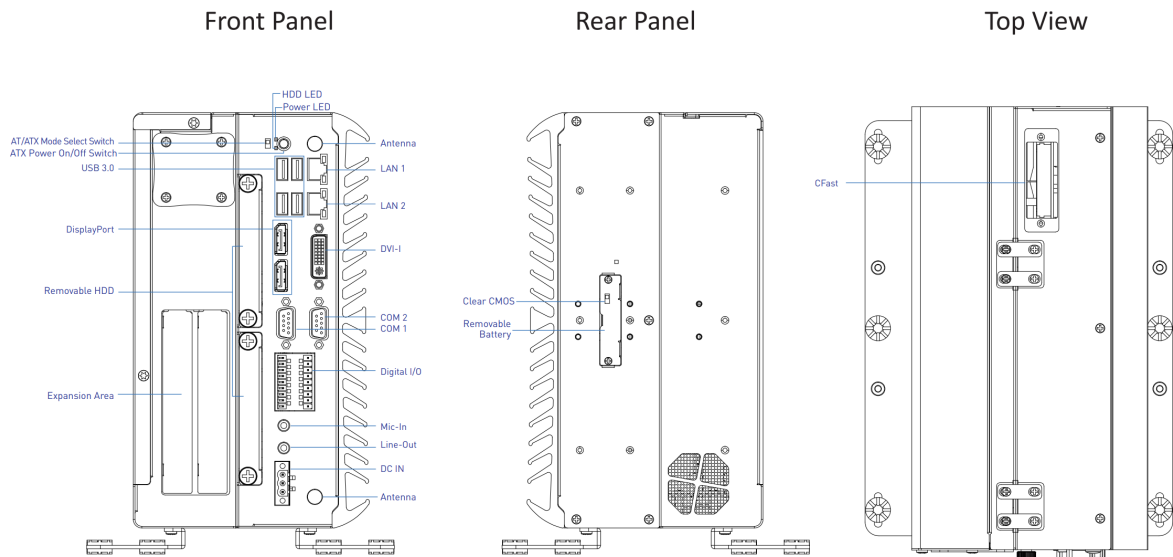


PUMA-V6011: Dimensions (mm)

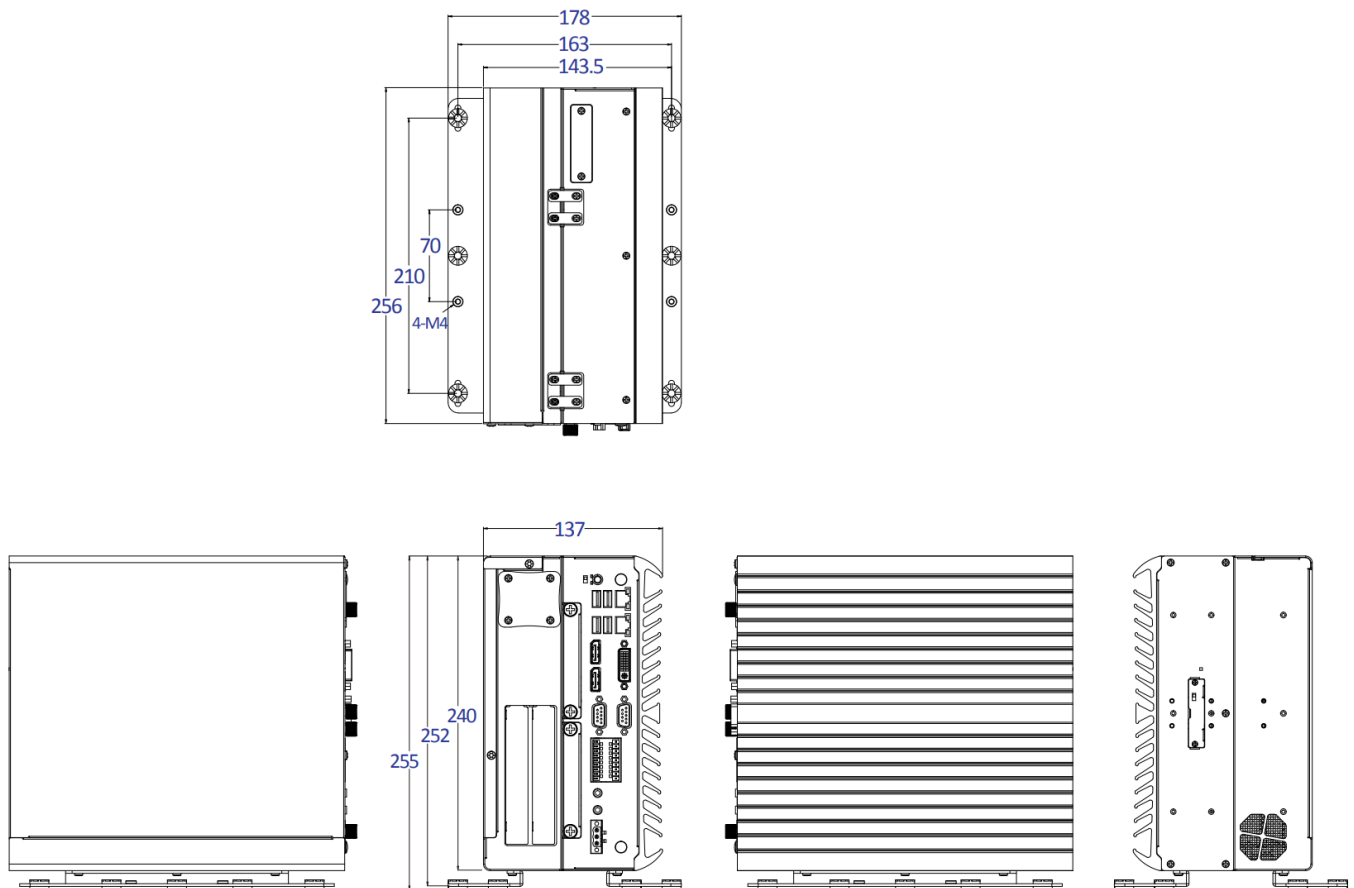


PUMA-V6000 series

PUMA-V6022: I/O (Layout)



PUMA-V6022: Dimensions (mm)



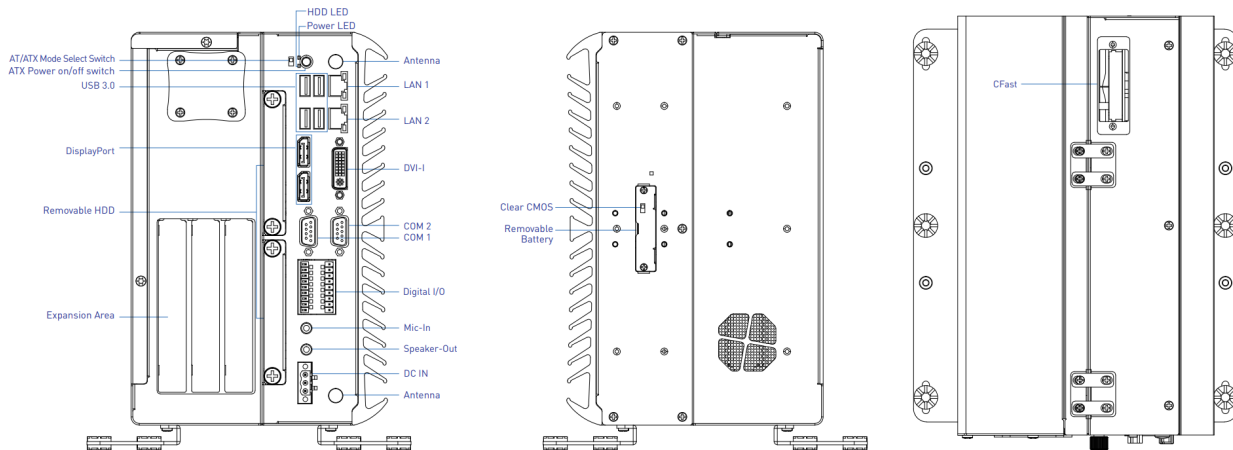
PUMA-V6000 series

PUMA-V6033: I/O (Layout)

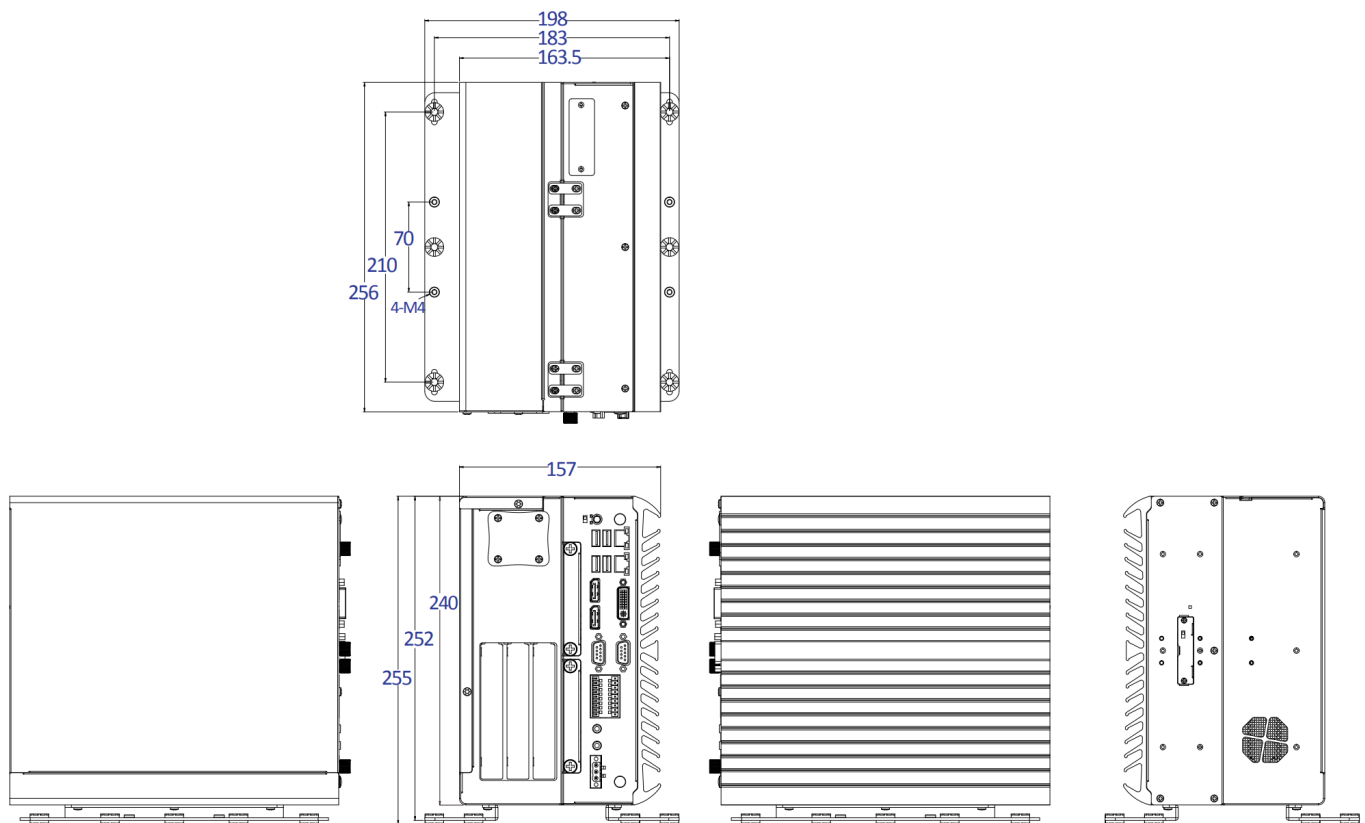
Front Panel

Rear Panel

Top View



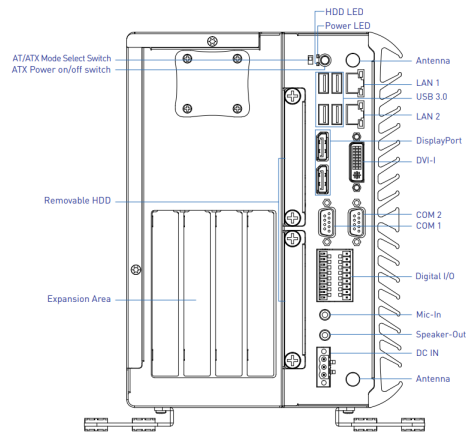
PUMA-V6033: Dimensions (mm)



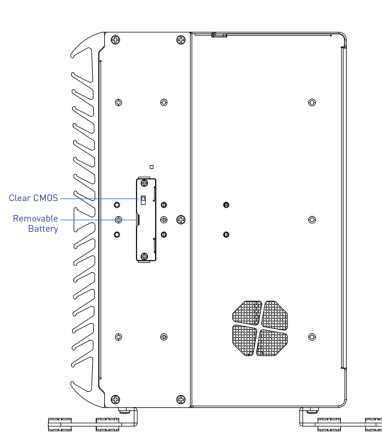
PUMA-V6000 series

PUMA-V6044: I/O (Layout)

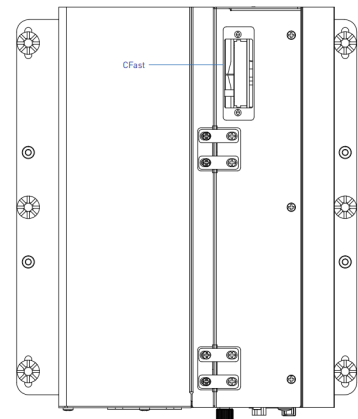
Front Panel



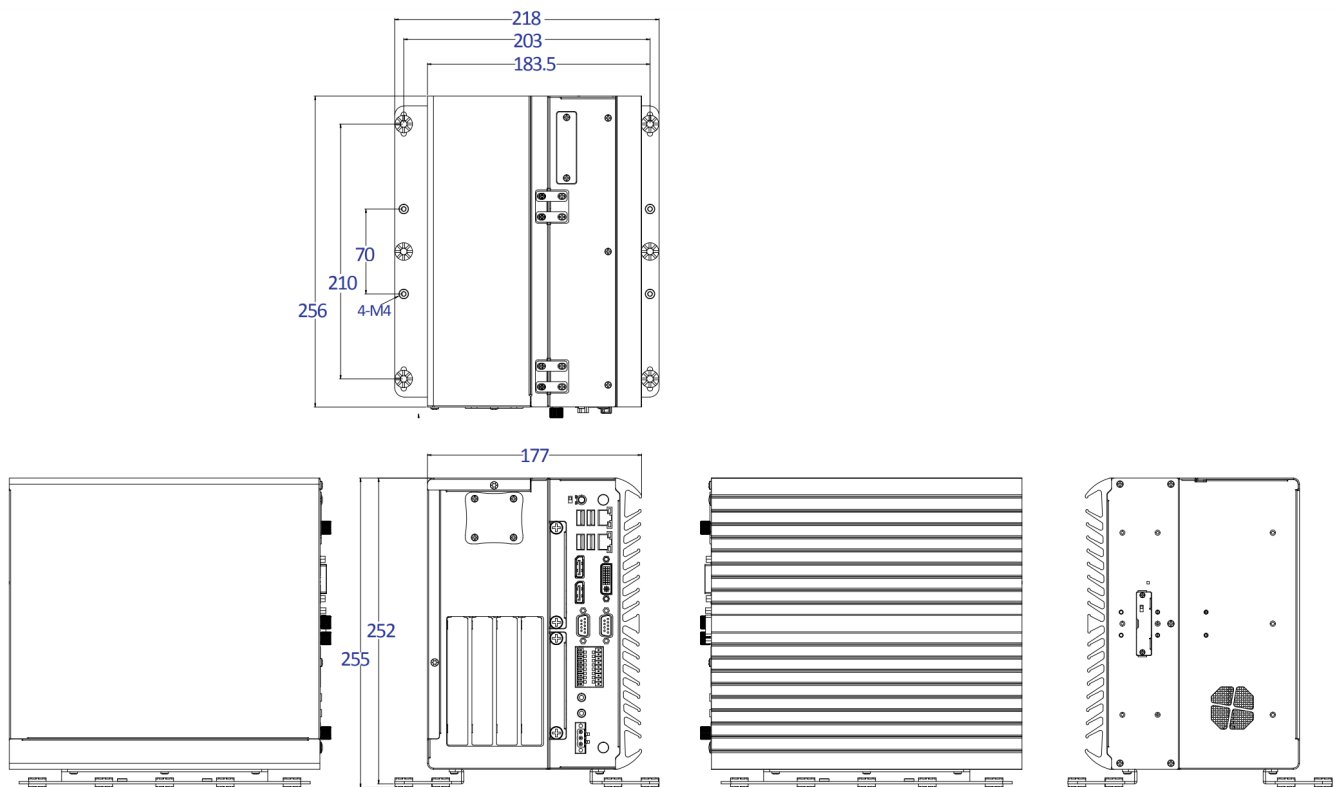
Rear Panel



Top View



PUMA-V6044: Dimensions (mm)



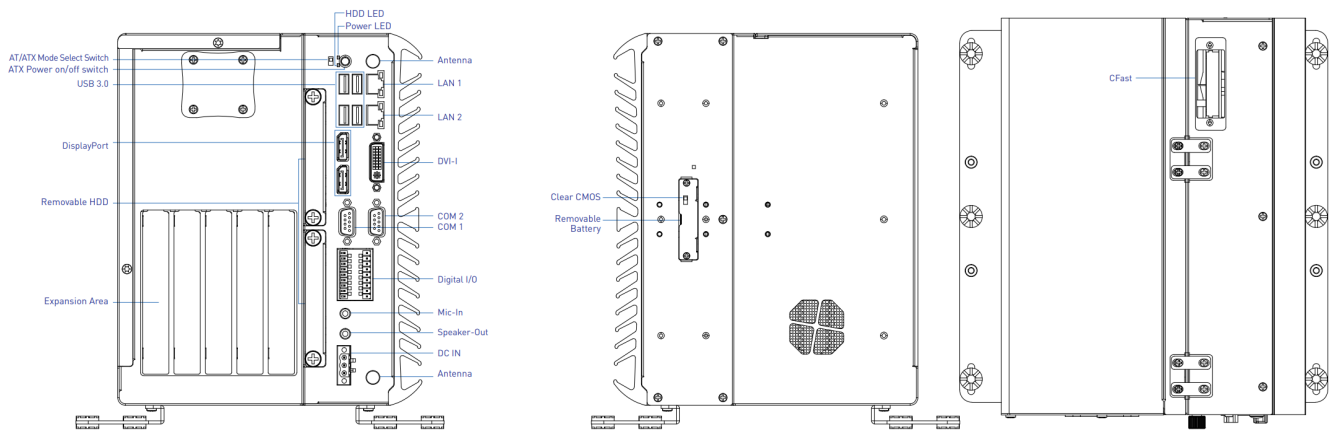
PUMA-V6000 series

PUMA-V6055: I/O (Layout)

Front Panel

Rear Panel

Top View



PUMA-V6055: Dimensions (mm)

